

INDUSTRIAL LED LIGHTING

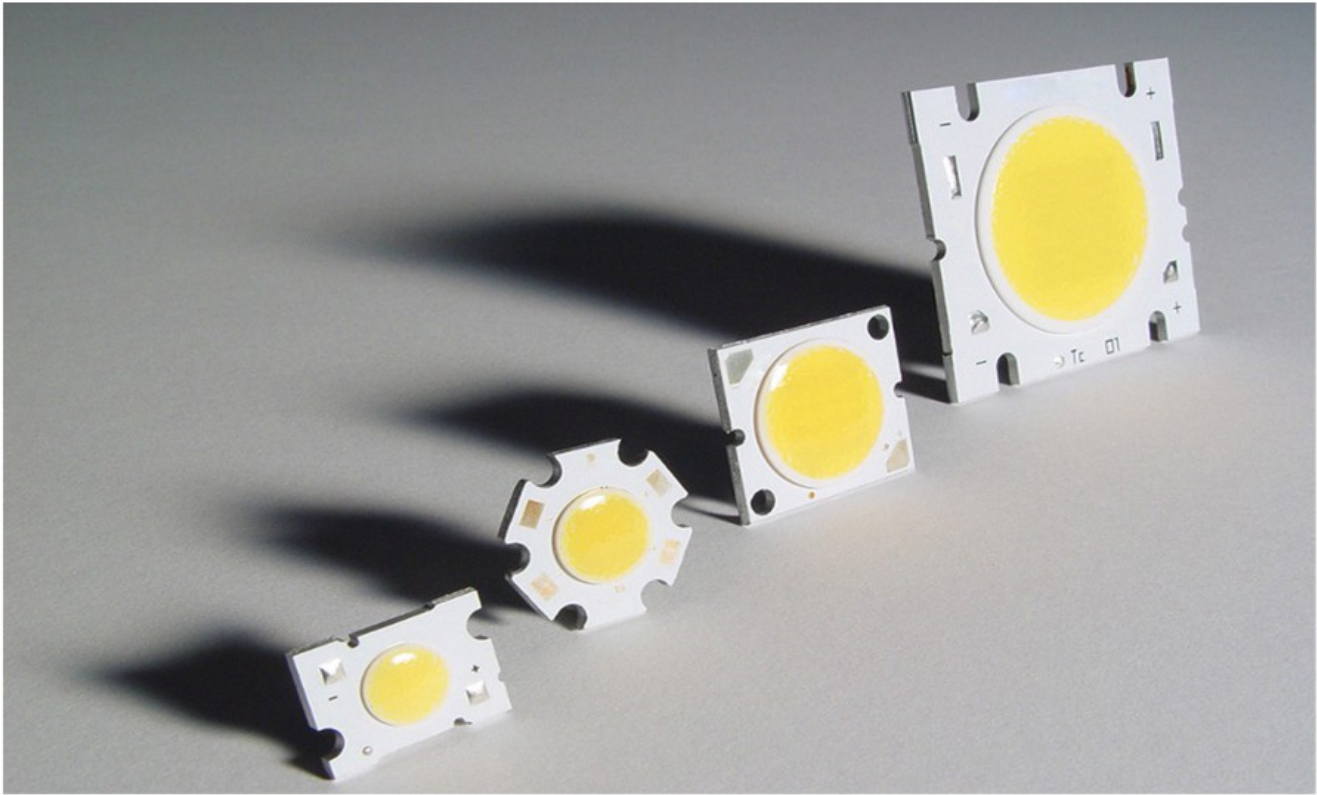
@2017~2018



DEO[®]

LED Lighting

www.deolighting.com



WHO WE ARE

DEO LIGHTING is a engineering lighting brand of ZHEJIANG DEO INDUSTRIAL CO., LTD. established in 2009 with facilities include developing, manufacturing, assembly, warehousing based in Zhejiang and Guangdong. The company maintains a high market occupancy and good corporate reputation in the filed of LED lighting technology.

We are specialized in producing high-end, proven, low maintenance and energy efficient industrial LED luminaires for lighting contractors and designers, such as LED High Bay Lights, Flood Lights, IP65 Non-corrosive Battens, Street Lights for factories, warehouses, logistics, buildings, landscapes, roadways and many other applications. All of our products are designed and manufactured according to strict ISO9001 and European quality standards.

DEO Lighting is unique amongst Chinese suppliers, we have combined our expertise and passion in developing to provide our clients a wide range of products which are not only innovative and exquisite, but also robust and durable. We are more than a lighting products manufacturer, we really understand and work together with our customers to improve lighting performance and make projects finished perfectly.

We help people reduce energy consumption and cost, protect environment and cut down carbon emissions with our mission " Lighting The City, Green The World ". We are continually studying developing our product and service ranges in order to meet the increasingly sophisticated demands of our clients. Our goal is to become a world-class company of industrial LED lighting luminaires design and manufacturing.

CONTENTS

LED
MODULE

P.03

LED
HIGH BAY LIGHT

P.05

LED
FLOOD LIGHT

P.08

LED
HIGH MAST LIGHT

P.10

LED
NON CORROSIVE BATTEN

P.12

LED
STREET LIGHT

P.14

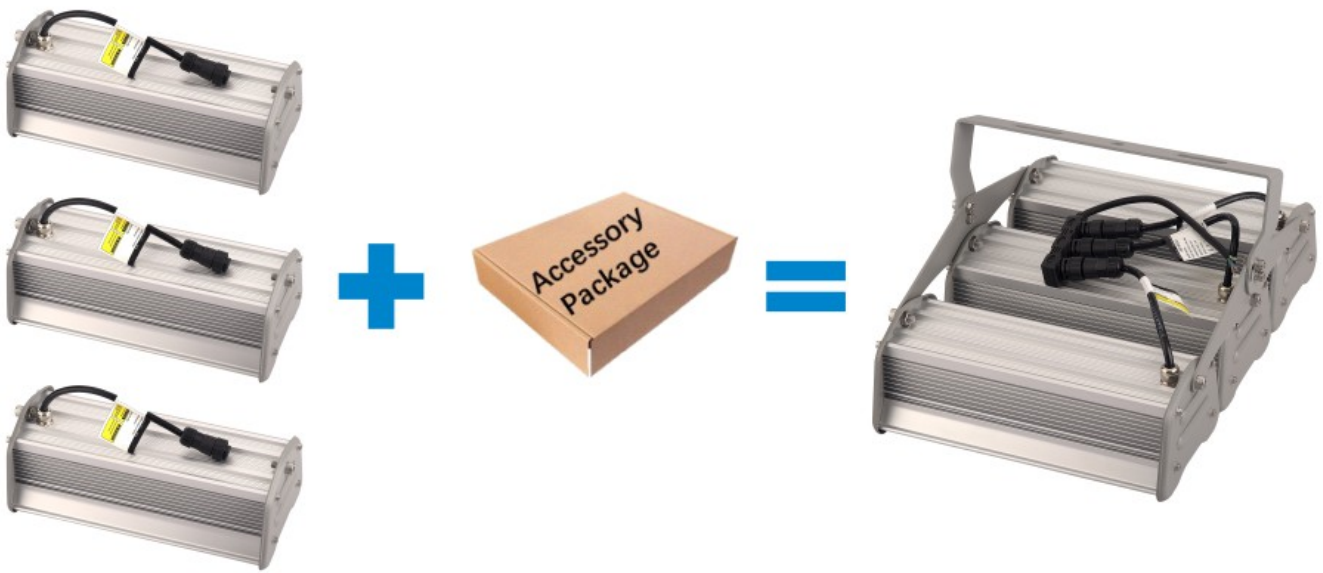
LED
RETROFIT BULB

P.16

FREE-100® LED MODULE, ASSEMBLED FREEDOM

Product characteristics:

1. Assembled freely and easily by lighting contractors according to different requirements of power, maximize reduce inventory pressure and shorten delivery lead time;
2. Multi-purpose, used for high bay lighting, flood lighting, tunnel lighting applications;
3. Total 6 kind of beam angle optional, asymmetric beam angle available, suitable for all projects;
4. Hanging mount, wall mount, ground mount installations, rated at IP65 for both interior and exterior environments such as warehouse, workshops, buildings, etc.



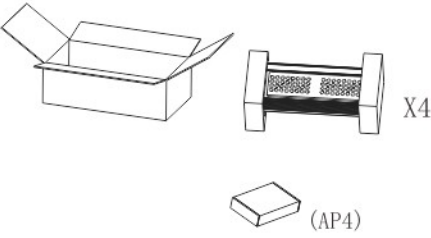
CUT 100% STOCK LEVEL

WIN 300% BUSINESS OPPORTUNITY

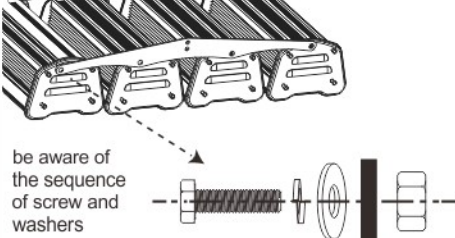


COMPLETE FIXTURE WITH MAX 4 MODULES

INSTALLATION INSTRUCTION

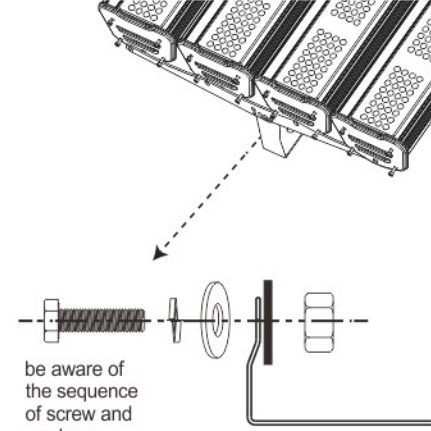


1 Get 4 standard 60W LED modules and Accessory Package 4 (AP4) ready.



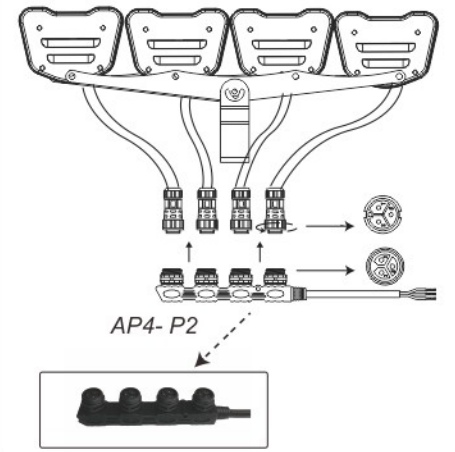
be aware of the sequence of screw and washers

2 Release the screws on the LED module. Put 2 connection fittings (AP4-P1) in between and screw down.




be aware of the sequence of screw and washers

3 Install the mounting bracket (AP-P1).

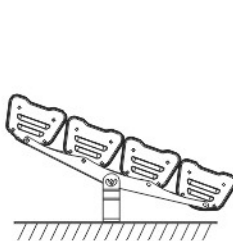


4 Attach each male connector on the modules to the 4-module waterproof connector cable (AP4-P2).

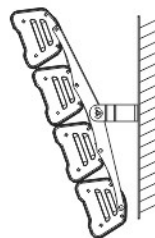


5 Connect the L/N/G wire of waterproof connector cable (AP3-P2) to the L/N/G wire of power line accordingly. Waterproof cable connector (AP-P0) is strongly recommend. Please contact our sales representative to order.

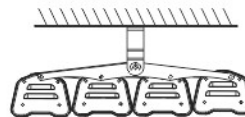
4-WAY INSTALLATION



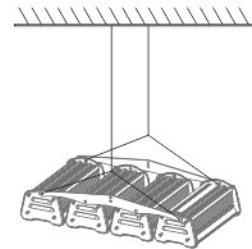
Ground Mounting Installation



Wall Mounting Installation



Ceiling Mounting Installation



Suspension Mounting Installation

UFO LED HIGH BAY LIGHT

Product characteristics:

1. Fresh and elegant appearance, optimized weight and size due to compact design;
2. High thermal conductivity die-cast aluminum, unique diamond hollow heatsink;
3. With advanced respirator to enhance the performance in exterior environments;
4. Applicable for warehouses, industrials, indoor and outdoor applications.

WHITE COLOR IS OPTIONAL



IP65  **CE** **RoHS**

MODEL	WATT	INPUT VOLT	LUMINOUS EFFICACY	LED LIGHT SOURCE	DIMENSION (mm)	IP RATE	BEAM ANGLE	WARRANTY	OPERATING TEMP
DL-HB-100W/F	100W	90-305VAC 50/60Hz	130 lm/W	SMD3030-161PCS	Φ350x210	IP65	60°, 120°	3-5 Years	-20°C~60°C
DL-HB-150W/F	150W	90-305VAC 50/60Hz	130 lm/W	SMD3030-224PCS	Φ350x210	IP65	60°, 120°	3-5 Years	-20°C~60°C
DL-HB-200W/F	200W	90-305VAC 50/60Hz	130 lm/W	SMD3030-322PCS	Φ420x220	IP65	60°, 120°	3-5 Years	-20°C~60°C
DL-HB-240W/F	240W	90-305VAC 50/60Hz	130 lm/W	SMD3030-364PCS	Φ420x220	IP65	60°, 120°	3-5 Years	-20°C~60°C



PRO SERIES LED HIGH BAY LIGHT

Product characteristics:

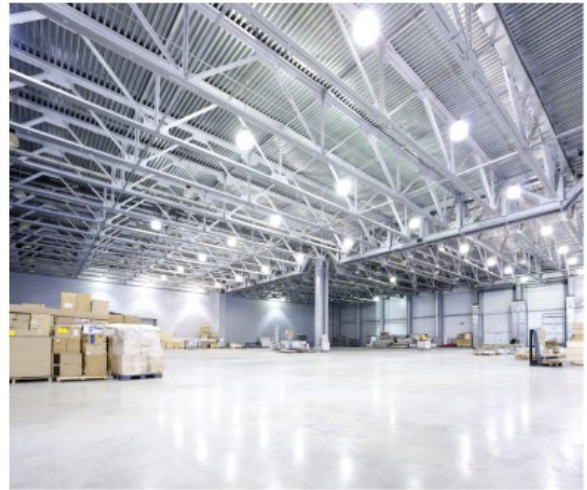
1. Built-in power supply design, contributing to a strong industrial and artistic effect;
2. Copper heatpipe technology, transferring heat from light source to heatsink extreme rapidly;
3. Creative compressed fins designed heatsink, massive and 3-D air flow heat dissipation, ultra low temperature;
4. Applicable for warehouses, factories, logistics, exhibition halls, indoor stadiums, etc.

3-D HEAT DISSIPATION



CE RoHS

MODEL	WATT	LUMINOUS EFFICACY	HEATSINK SIZE (mm)	BEAM ANGLE	OPERATING TEMP
DL-HB-60W/P	60W	110 lm/W	Φ182x259	60°, 90°, 110°	-20°C~60°C
DL-HB-80W/P	80W	110 lm/W	Φ182x259	60°, 90°, 110°	-20°C~60°C
DL-HB-100W/P	100W	110 lm/W	Φ182x291	60°, 90°, 110°	-20°C~60°C
DL-HB-150W/P	150W	110 lm/W	Φ238x316	60°, 90°, 110°	-20°C~60°C
DL-HB-200W/P	200W	110 lm/W	Φ222x367	60°, 90°, 110°	-20°C~60°C
DL-HB-250W/P	250W	110 lm/W	Φ284x371	60°, 90°, 110°	-20°C~60°C
DL-HB-300W/P	300W	110 lm/W	Φ284x371	60°, 90°, 110°	-20°C~60°C



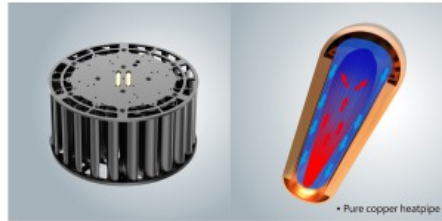
BLAPE® SERIES LED HIGH BAY LIGHT

Product characteristics:

1. The lamp reflector is rotated clockwise to fix the buckle, and can be easily installed well without tools;
2. Copper heatpipe technology, transferring heat from light source to heatsink extreme rapidly;
3. Heatpipes contact directly the heat source with 0 distance, exerting the performance of heatpipes to the best;
4. Applicable for warehouses, factories, logistics, exhibition halls, indoor stadiums, etc.



HEAT WITH COPPER PIPES



CE RoHS

MODEL	WATT	INPUT VOLT	LUMINOUS EFFICACY	LED LIGHT SOURCE	DIMENSION (mm)	BEAM ANGLE	WARRANTY	OPERATING TEMP
DL-HB-60W/B	60W	90-305VAC 50/60Hz	110 lm/W	SMD-3030	Φ211x137	24°, 60°, 90°, 100°, 110°	3-5 Years	-20°C~60°C
DL-HB-100W/B	100W	90-305VAC 50/60Hz	110 lm/W	SMD-3030	Φ211x157	24°, 60°, 90°, 100°, 110°	3-5 Years	-20°C~60°C
DL-HB-150W/B	150W	90-305VAC 50/60Hz	110 lm/W	SMD-3030	Φ211x187	24°, 60°, 90°, 100°, 110°	3-5 Years	-20°C~60°C
DL-HB-200W/B	200W	90-305VAC 50/60Hz	110 lm/W	SMD-3030	Φ211x274	24°, 60°, 90°, 100°, 110°	3-5 Years	-20°C~60°C



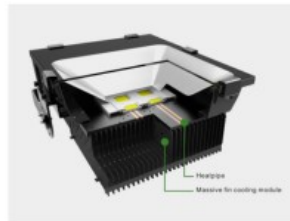
PRO SERIES LED FLOOD LIGHT

Product characteristics:

1. Copper heatpipes riveting and massive fins type cooling technology, efficiently reduce the temperature and extend lifespan;
2. COB and SMD solutions optional for meeting different requirements;
3. IP65 rating, anti-level 17 hurricane, with respirator for exterior use;
4. The housing is coated by electrophoretic paint, excellent anti-corrosive performance for harsh environments;
5. Applicable for buildings, shopping malls, parks, billboards, statues, etc.



ADVANCED THERMAL TECHNOLOGY



IP65  CE RoHS

MODEL	WATT	INPUT VOLT	LUMINOUS EFFICACY	LED LIGHT SOURCE	DIMENSION (mm)	BEAM ANGLE	WARRANTY	OPERATING TEMP
DL-FL-70W/P	70W	90-305VAC 50/60Hz	110 lm/W	COB, SMD	234x200x117	120°	3-5 Years	-20°C~60°C
DL-FL-100W/P	100W	90-305VAC 50/60Hz	110 lm/W	COB, SMD	270x250x182	120°	3-5 Years	-20°C~60°C
DL-FL-150W/P	150W	90-305VAC 50/60Hz	110 lm/W	COB, SMD	315x274x187	120°	3-5 Years	-20°C~60°C
DL-FL-200W/P	200W	90-305VAC 50/60Hz	110 lm/W	COB, SMD	380x320x197	120°	3-5 Years	-20°C~60°C



SLIM SERIES LED FLOOD LIGHT

Product characteristics:

1. Ultra-slim streamline appearance design, exquisite fashion;
2. Innovative G-buckle technology, there is no screw on the lamp surface elegant looking;
3. IP65 rating, anti-level 17 hurricane, with respirator for exterior use;
4. Applicable for buildings, shopping malls, parks, billboards, statues, etc.

CLASSIC AND FASHION



IP65 CE RoHS

MODEL	WATT	INPUT VOLT	LUMINOUS EFFICACY	LED LIGHT SOURCE	DIMENSION (mm)	BEAM ANGLE	WARRANTY	OPERATING TEMP
DL-FL-10W/S	10W	100-240VAC 50/60Hz	110 lm/W	SMD-3030	140x107x32	120°	3-5 Years	-20°C~60°C
DL-FL-20W/S	20W	100-240VAC 50/60Hz	110 lm/W	SMD-3030	190x152x40	120°	3-5 Years	-20°C~60°C
DL-FL-30W/S	30W	100-240VAC 50/60Hz	110 lm/W	SMD-3030	200x167x40	120°	3-5 Years	-20°C~60°C
DL-FL-50W/S	50W	100-240VAC 50/60Hz	110 lm/W	SMD-3030	265x220x47	120°	3-5 Years	-20°C~60°C
DL-FL-80W/S	80W	100-240VAC 50/60Hz	110 lm/W	SMD-3030	300x245x49	120°	3-5 Years	-20°C~60°C



WARREO® SERIES LED FLOOD LIGHT

Product characteristics:

1. High output, it can be used to replace high pressure sodium lamps 2000W or more;
2. With copper heatpipes riveting and massive fins cooling technology, HDT technology, respirator technology, ultra low temperature, long lifespan up to 50,000 hours;
3. Housing is processed by electrophoretic paint, IP65 rate, anti-level 17 hurricane for outdoor environment;
4. Professional and multiple light distribution for different lighting applications;
5. Applicable for sport stadiums, wharves, golf courses, squares and many other similar places.

IP65  CE RoHS

MODEL	WATT	LUMINOUS EFFICACY	DIMENSION (mm)	BEAM ANGLE	OPERATING TEMP
DL-FL-400W/H	400W	100 lm/W	436x416x300	25°, 45°, 60°, 90°, 100°, 60°x90°, 30°x90°	-20°C~60°C
DL-FL-500W/H	500W	100 lm/W	439x419x337	25°, 45°, 60°, 90°, 100°, 60°x90°, 30°x90°	-20°C~60°C
DL-FL-1000W/H	1000W	100 lm/W	534x436x498	50°x90°, 10°x90°	-20°C~60°C



TENOVA® SERIES LED FLOOD LIGHT

Product characteristics:

1. Multi-purpose, can be also used as high bay lighting, bracket angle 216°adjustable, up to 1000W HPS replacement;
2. Unique technology of heat dissipation, super low temperature, 5 kind of beam angle options;
3. IP65 rating, anti-level 17 hurricane, with respirator for exterior use;
4. Applicable for sport stadiums, wharves, golf courses, squares and many other similar places.

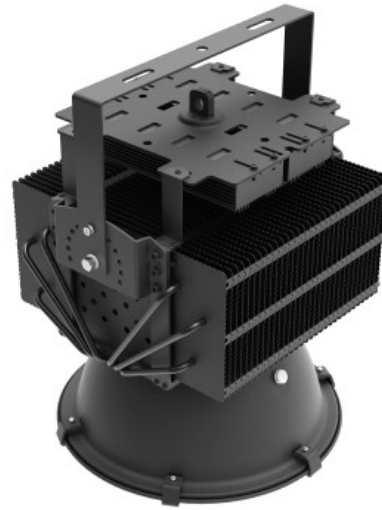


UNPARALLELED HEATSINK TECHNOLOGY



IP65  CE RoHS

MODEL	WATT	INPUT VOLT	LUMINOUS EFFICACY	LED LIGHT SOURCE	DIMENSION (mm)	BEAM ANGLE	WARRANTY	OPERATING TEMP
DL-HB-300W/H	300W	90-305VAC 50/60Hz	100 lm/W	CREE-XBD	Φ367x410	25°, 45°, 60°, 90°, 100°	5 Years	-20°C~60°C
DL-HB-400W/H	400W	90-305VAC 50/60Hz	100 lm/W	CREE-XBD	Φ367x448	25°, 45°, 60°, 90°, 100°	5 Years	-20°C~60°C
DL-HB-500W/H	500W	90-305VAC 50/60Hz	100 lm/W	CREE-XBD	Φ367x448	25°, 45°, 60°, 90°, 100°	5 Years	-20°C~60°C



POLEO® SERIES LED NON CORROSIVE BATTEN

Product characteristics:

1. IP65 rated, corrosion proof, dust proof, vapor proof, ideal for locations where there is damp, dusty and corrosive atmosphere;
2. Low key design, polycarbonate base and diffuser, robust and durable, uniform and bright light with wide beam angle;
3. Produced by full size LED PCB, better output and heat dissipation than other similar products;
4. Applicable for pack lots, underpasses, workshops, warehouses, factories, industrial areas, etc.



STAINLESS STEEL CLIPS



IP65  CE RoHS

MODEL	WATT	LUMINOUS EFFICACY	DIMENSION (mm)	BEAM ANGLE	OPERATING TEMP
DL-TP-20W	20W	100 lm/W	660x84x94	120°	-20°C~60°C
DL-TP-40W	40W	100 lm/W	1270x84x94	120°	-20°C~60°C
DL-TP-60W	60W	100 lm/W	1570x84x94	120°	-20°C~60°C



FULL SIZE LED PCB



ALUDO® SERIES LED NON CORROSIVE BATTEN


Product characteristics:

1. IP65 rated, corrosion proof, dust proof, vapor proof, ideal for locations where there is damp, dusty and corrosive atmosphere;
2. Aluminum base and polycarbonate diffuser, high light transmittance, with respirator improving quality for applications;
3. Robust design, ultra high lumen output up to 120 lm/W, more than 70% energy savings compared with conventional fittings;
4. Applicable for pack lots, underpasses, workshops, warehouses, factories, industrial areas, etc.



RESPIRATOR DESIGN



IP65  CE RoHS

MODEL	WATT	LUMINOUS EFFICACY	DIMENSION (mm)	BEAM ANGLE	WARRANTY	OPERATING TEMP
DL-TP-60W/A	60W	120 lm/W	1500x117x64	110°	5 Years	-20°C~60°C
DL-TP-80W/A	80W	120 lm/W	1500x117x64	110°	5 Years	-20°C~60°C



URBAN® SERIES LED STREET LIGHT

Product characteristics:

1. Integrated design of driver box and lamp arm, saving the space and reducing the wind resistance significantly;
2. Prospective design, quality aluminum housing, excellent thermal performance, economical and practical solution;
3. Rated at IP67, anti-level 17 hurricane, two kind of light pole's back cover, the lamps can be used more widely;
4. Applicable for streets, roadways, parking lots, residential areas, squares, and other places require outdoor lighting.



SIMPLE BUT NOT SIMPLE



IP67  **CE** **RoHS**

MODEL	WATT	INPUT VOLT	LUMINOUS EFFICACY	LED LIGHT SOURCE	DIMENSION (mm)	BEAM ANGLE	WARRANTY	OPERATING TEMP
DL-SL-30W/U	30W	90-305VAC 50/60Hz	110 lm/W	SMD-3030	365x135x84.5	75°x145°	3-5 Years	-20°C~60°C
DL-SL-40W/U	40W	90-305VAC 50/60Hz	110 lm/W	SMD-3030	365x135x89.5	75°x145°	3-5 Years	-20°C~60°C
DL-SL-60W/U	60W	90-305VAC 50/60Hz	110 lm/W	SMD-3030	431.5x160x89.5	75°x145°	3-5 Years	-20°C~60°C
DL-SL-90W/U	90W	90-305VAC 50/60Hz	110 lm/W	SMD-3030	431.5x160x89.5	75°x145°	3-5 Years	-20°C~60°C
DL-SL-120W/U	120W	90-305VAC 50/60Hz	110 lm/W	SMD-3030	632x215x89.5	75°x145°	3-5 Years	-20°C~60°C
DL-SL-150W/U	150W	90-305VAC 50/60Hz	110 lm/W	SMD-3030	632x215x89.5	75°x145°	3-5 Years	-20°C~60°C



MODEO® SERIES LED STREET LIGHT

Product characteristics:



1. Produced by the process of pressing, excellent material heat dissipation performance, weight is one time lighter than normal products, easy to install;
2. Perfect powder coating treatment, without fading and corrosion, fixture angle adjustable range 180°;
3. Rated at IP67, anti-level 17 hurricane, multiple beam angle options;
4. Applicable for streets, roadways, parking lots, residential areas, squares, and other places require outdoor lighting.



PROFESSIONAL OPTIC DESIGN

EFFICIENT HEATSINK



IP67  **CE**  **RoHS**

MODEL	WATT	INPUT VOLT	LUMINOUS EFFICACY	LED LIGHT SOURCE	DIMENSION (mm)	BEAM ANGLE	WARRANTY	OPERATING TEMP
DL-SL-150W/M	150W	90-305VAC 50/60Hz	110 lm/W	BRIDGELUX	858x304x 128	75°x150°, 50°x90° 30°x75°	3-5 Years	-20°C~60°C
DL-SL-180W/M	180W	90-305VAC 50/60Hz	110 lm/W	BRIDGELUX	950x304x 128	75°x150°, 50°x90° 30°x75°	3-5 Years	-20°C~60°C
DL-SL-210W/M	210W	90-305VAC 50/60Hz	110 lm/W	BRIDGELUX	1042x304x 128	75°x150°, 50°x90° 30°x75°	3-5 Years	-20°C~60°C



LUXEO® SERIES LED BULB LIGHT

Product characteristics:

1. Die-casting aluminum housing, good performance of heat dissipation, low temperature;
2. High lumen output up to 110 lm/W, uniform light with wide beam angle;
3. E27, E27, B22, E39, E40 lamp sockets available, easy to replace traditional lamps;
4. Applicable for retrofit lighting projects of factories, warehouses, industrial areas, etc.



 **CE RoHS**

MODEL	WATT	LUMINOUS EFFICACY	DIMENSION (mm)	BEAM ANGLE	OPERATING TEMP
DL-35WHD	35W	110 lm/W	Φ119x215	180°	-20°C~60°C
DL-50WHD	50W	110 lm/W	Φ142x257	180°	-20°C~60°C



RETEK® SERIES LED BULB LIGHT

Product characteristics:

1. Aluminum fins type heatsink with high light transmittance rate polycarbonate diffuser;
2. Anodized surface treatment, excellent corrosion resistance performance, anti-shock, anti-moisture, can be used in harsh environment;
3. E39, E40 lamp sockets available, easy to replace traditional lamps;
4. Applicable for retrofit lighting projects of factories, warehouses, industrial areas, etc.



CE RoHS

MODEL	WATT	INPUT VOLT	LUMINOUS EFFICACY	LED LIGHT SOURCE	DIMENSION (mm)	BEAM ANGLE	WARRANTY	OPERATING TEMP
DL-60WHF	60W	100-240VAC 50/60Hz	110 lm/W	SMD-3030	Φ220x165	180°	2-3 Years	-20°C~60°C
DL-100WHF	100W	100-240VAC 50/60Hz	110 lm/W	SMD-3030	Φ275x180	180°	2-3 Years	-20°C~60°C
DL-150WHF	150W	100-240VAC 50/60Hz	110 lm/W	SMD-3030	Φ325x190	180°	2-3 Years	-20°C~60°C



DEOLLIGHTING

DEO[®]

LED Lighting

www.deolighting.com

ZHEJIANG DEO LIGHTING CO., LTD.

No.360, Luolong Road

Economic Development Zone

Haining, Zhejiang, 314400

☎ Tel: +86 573 80782850

☎ Fax: +86 573 80782852

✉ Email: export@deolighting.com